

Global Collection Wall Tile Trims glazed wall tiles

Product description Glazed, dry pressed ceramic wall tiles, manufactured in accordance with EN 14411 BIII and specific mentioned ASTM and ISO standards.
Mosa wall tile trims are modular with a 1/8" joint and match Global Collection tiles in color and size.

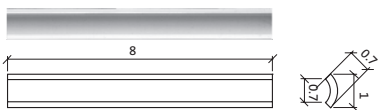
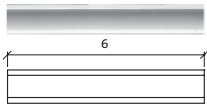
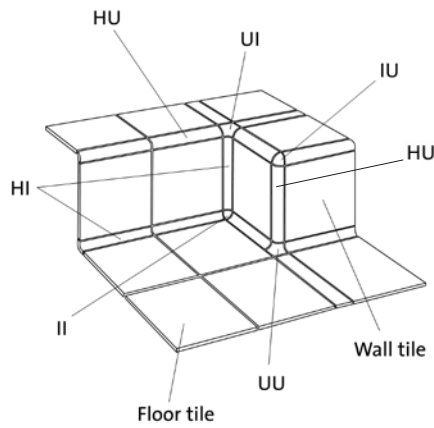
Sizes See applicable technical drawings.

Usage area Our wall tiles may be used in residential and commercial environments.
Our wall tiles are not frost proof and cannot be used exterior.

Our limited warranty Royal Mosa warrants that its first choice ceramic tiles are manufactured to specific mentioned ASTM and ISO standards and meet or exceed the requirements of those standards, excluding other standards.
Please consult Royal Mosa's sales conditions for complete product warranty details.

Maintenance Please consult our Cleaning and Maintenance leaflet on our website www.mosa.nl/us, chapter 'Services'.

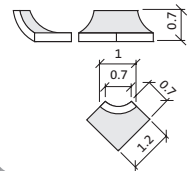
Accessories



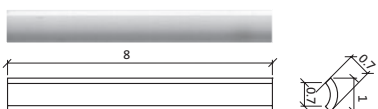
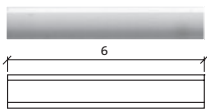
HI 6" x 1"
8" x 1"
cove internal glaze



II 1" x 1"
cove in



UU 1.8" x 1"
cove out



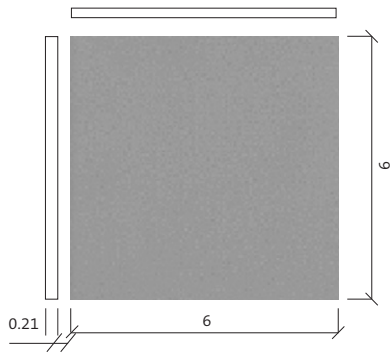
HU 6" x 1"
8" x 1"
bead external glaze



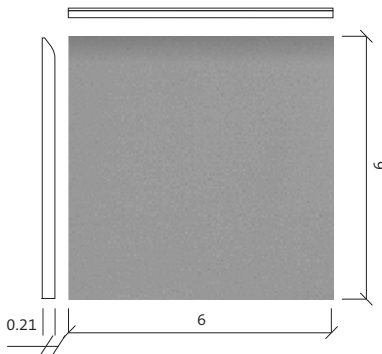
UI 1.8" x 1"
bead in



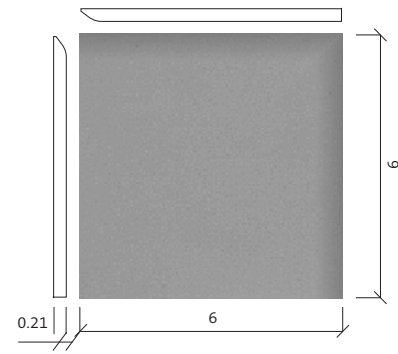
IU 1" x 1"
bead out



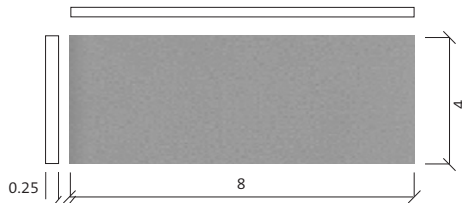
Plain 6" x 6"
wall tile



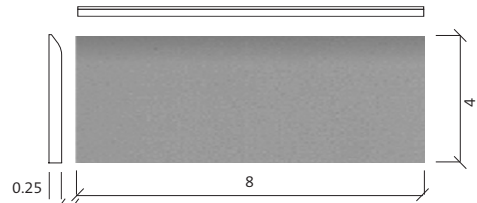
RE 6" x 6"
round edge (bullnose)



HE 6" x 6"
2 rounded edges (double bullnose)



Plain 4" x 8"
wall tile



LE 4" x 8"
round edge (bullnose),
long, 8" side glazed

Our wall tiles should not be installed on high shrinkage water beds. Our tiles should be installed in accordance with the current application guides of the Tile Council of America and/or American National Standards Institute guides and standards. Sizes indicated are nominal. Errors and omissions excepted. This Technical Product Sheet replaces all previous versions. For the most actual version see www.mosa.nl/us, chapter 'Services'.



Royal Mosa
Meerssenerweg 358
P.O. Box 1026
NL-6201 BA Maastricht
T +31 (0)43 368 92 29
F +31 (0)43 368 93 56
usa@mosa.nl
www.mosa.nl

