

Global Collection Floor Tile Trims

unglazed
porcelain tiles

Product description Unglazed, porcelain floor tile trims, manufactured in accordance with EN 14411 Bla and ASTM standards. Mosa Ultragres floor tile trims are modular with a 3/16" joint and match Global Collection tiles in color and size.

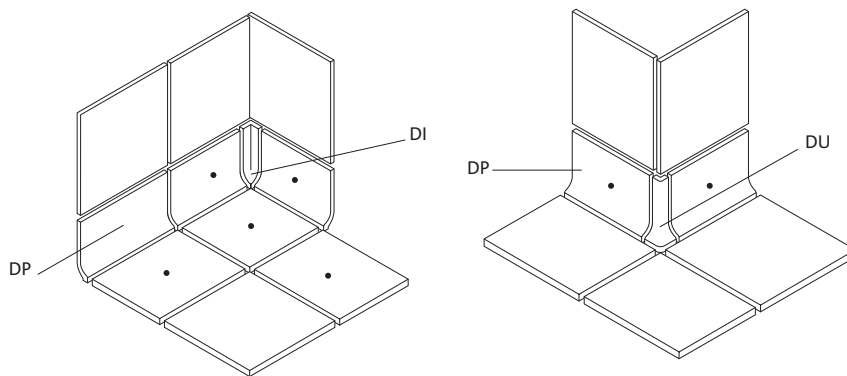
Sizes See applicable technical drawings.

Usage area Our frost proof floor tiles may be used in residential and commercial environments.

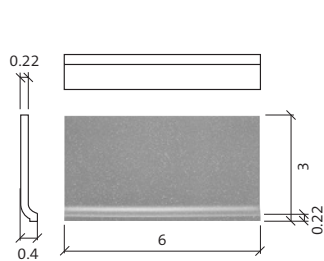
Our limited warranty Royal Mosa warrants that its first choice porcelain tiles are manufactured to ANSI-Standards A 137.1 and meet or exceed the requirements of the standard. Please consult Royal Mosa's sales conditions for complete product warranty details.

Maintenance Please consult our Cleaning and Maintenance leaflet on our website www.mosa.nl/us, chapter 'Services'.

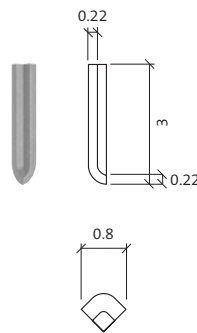
Accessories



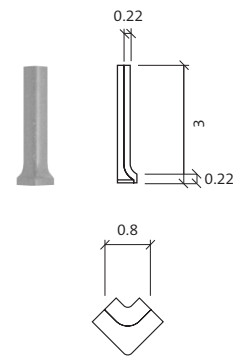
• = gerimeter-cut



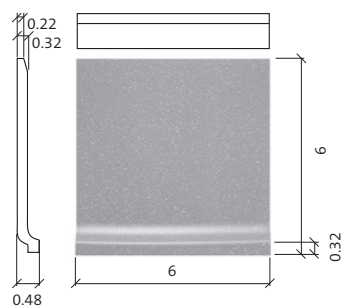
DP 3" x 6"
thin cove base



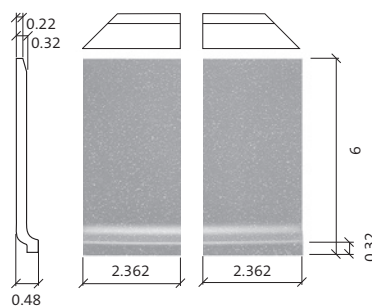
DI 3" x 0.8"
inside angle



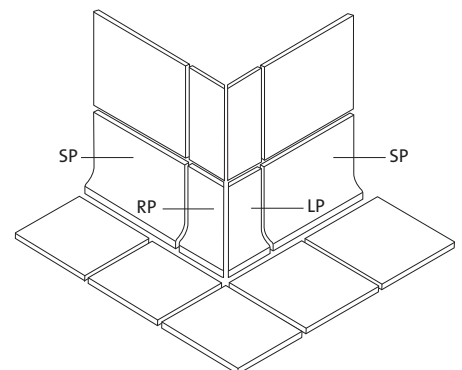
DU 3" x 0.8"
outside angle

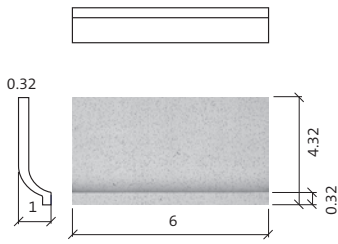


SP 6" x 6" x 0.32"/0.22"
cove base

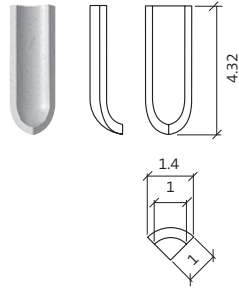


LP 6" x 2.362" RP 6" x 2.362"
corner cove corner cove

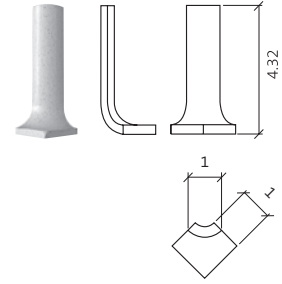




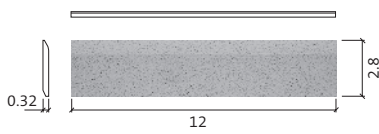
P 4" x 6"
cove base



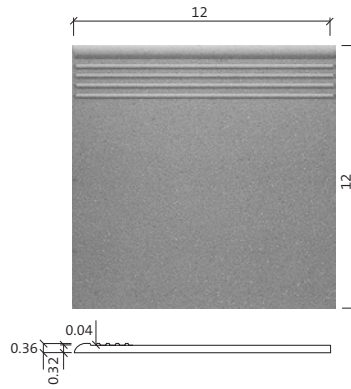
I 4" x 1.4"
inside angle



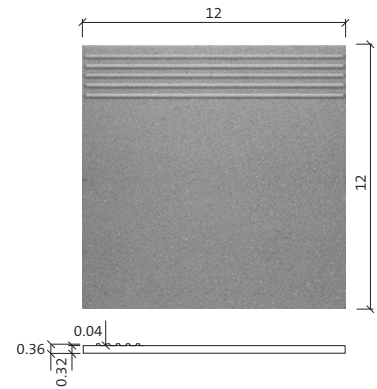
U 4" x 1"
outside angle



BN 12" x 2.8"
bullnose skirting

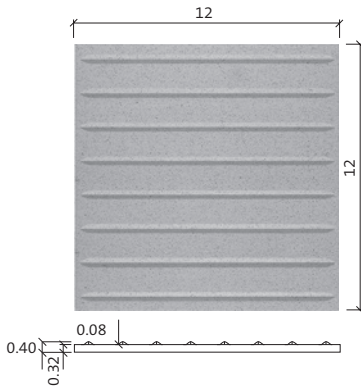


T 12" x 12"
stair-tread (rounded edge)



TR 12" x 12"
stair-tread (straight edge)

T (rounded edge) stair-treads are discontinued, but will remain available as long as stock lasts.
TR (straight edge) stair-treads will replace T stair-treads gradually.



BG 12" x 12"
guide tile

Special guide tiles for the blind (Global Collection BG) are to be supplied on request as floor marking strips for the visually disabled.

Like any material, Royal Mosa's porcelain tile can become slippery when wet. Care should be taken to keep the surface dry at all times. Our tiles should be installed in accordance with the current application guides of the Tile Council of America and/or American National Standards Institute guides and standards. Sizes indicated are nominal. Errors and omissions excepted.

This Technical Product Sheet replaces all previous versions. For the most actual version see www.mosa.nl/us, chapter 'Services'.



Royal Mosa
Meerssenerweg 358
P.O. Box 1026
NL-6201 BA Maastricht
T +31 (0)43 368 92 29
F +31 (0)43 368 93 56
usa@mosa.nl
www.mosa.nl